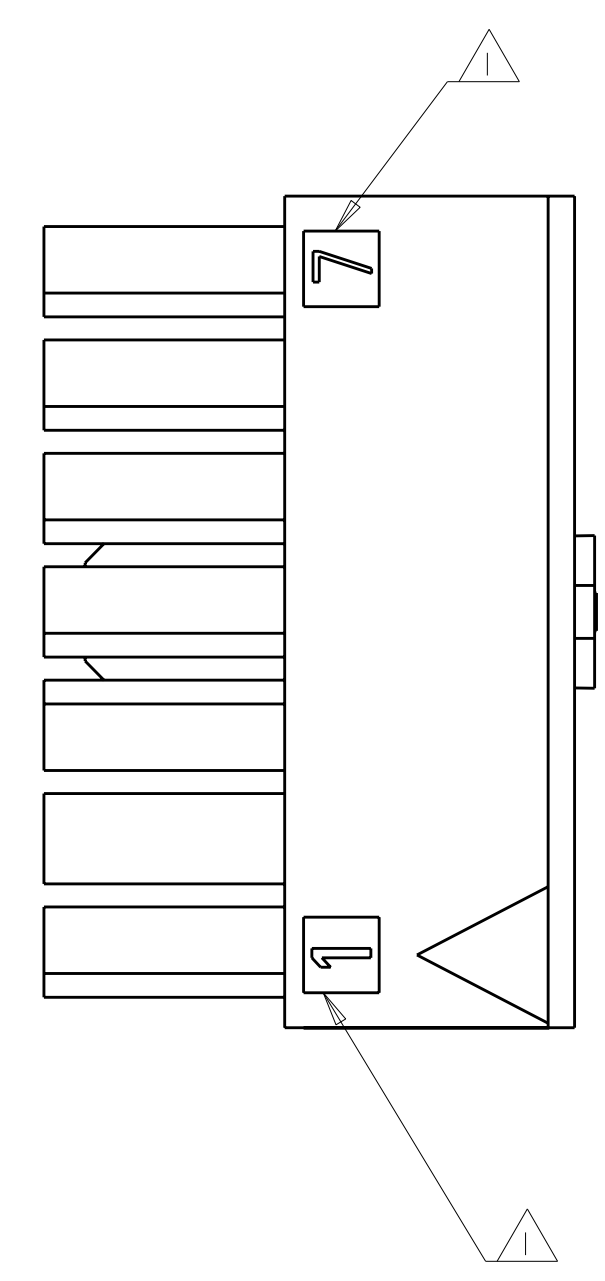
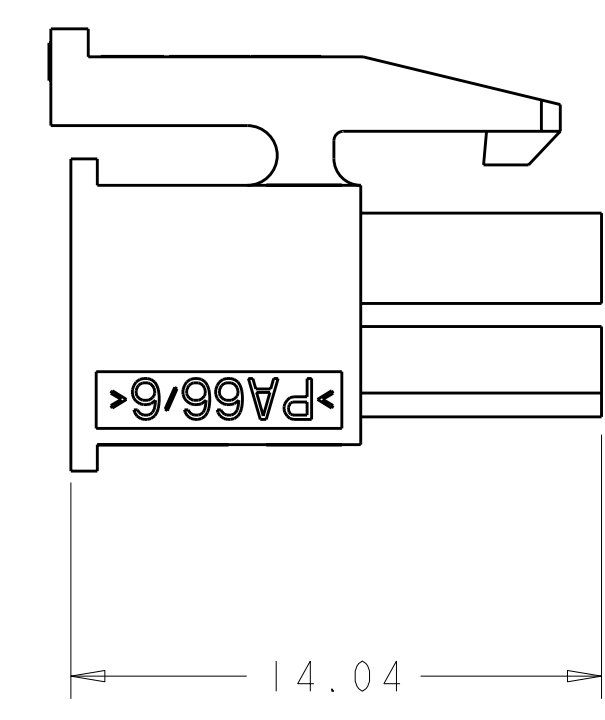
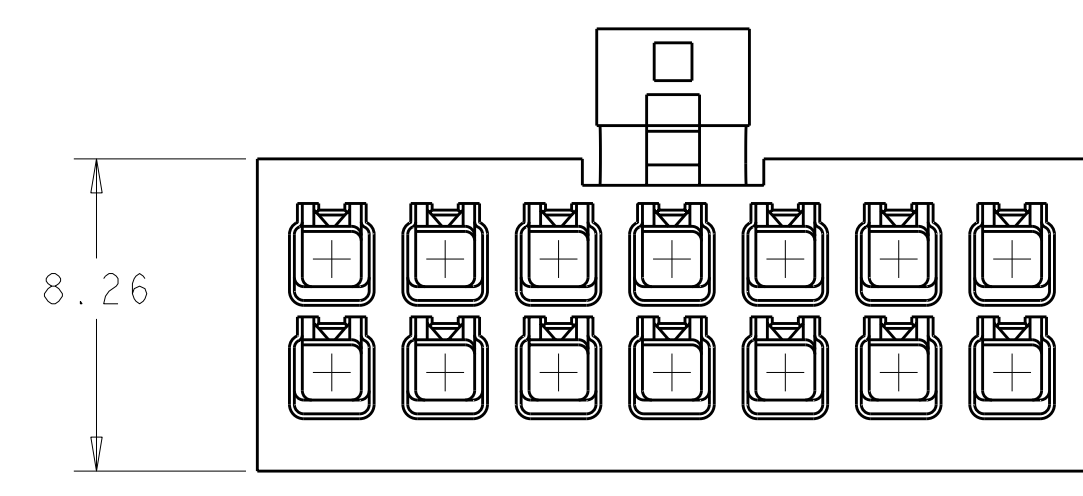
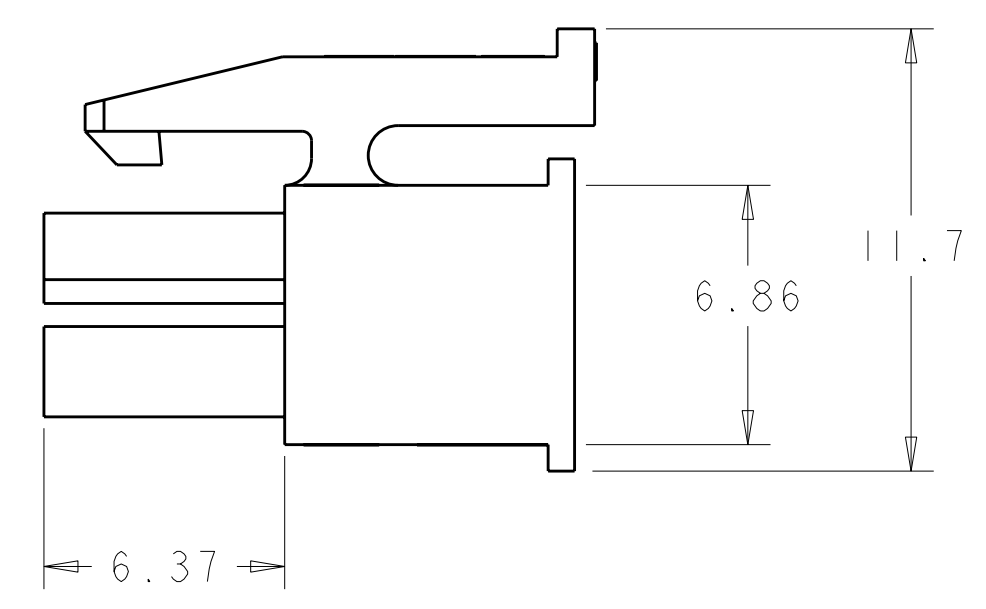
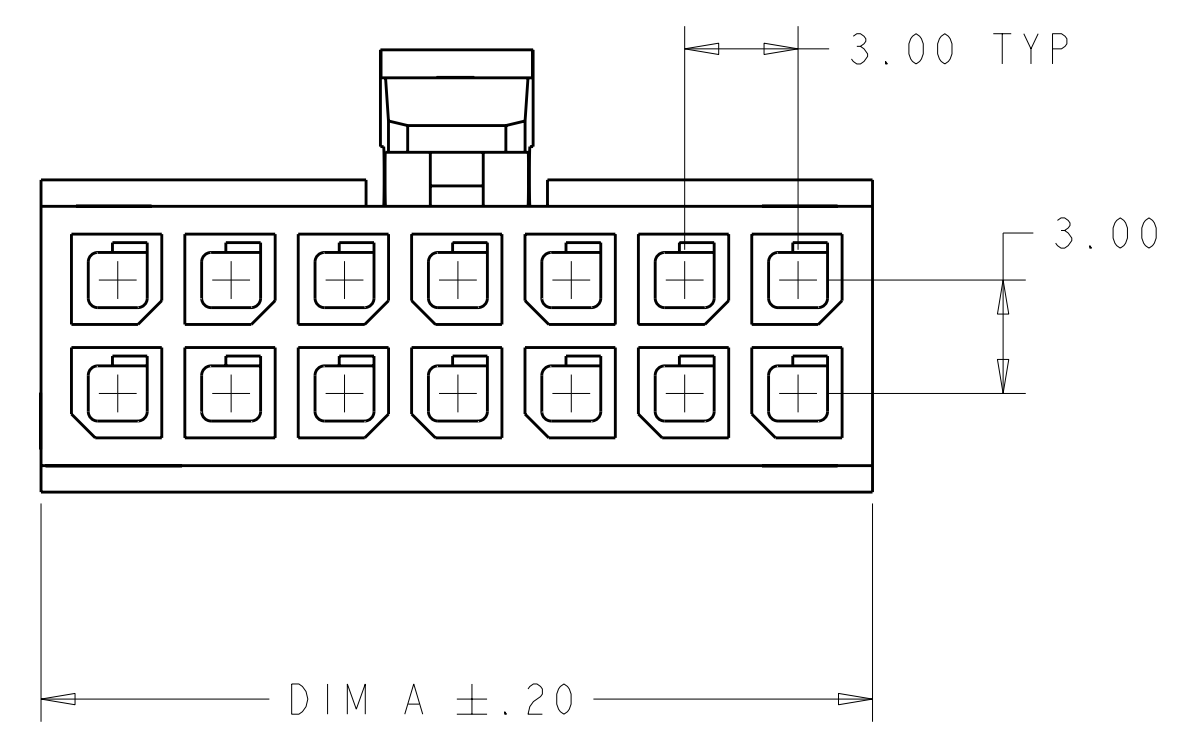
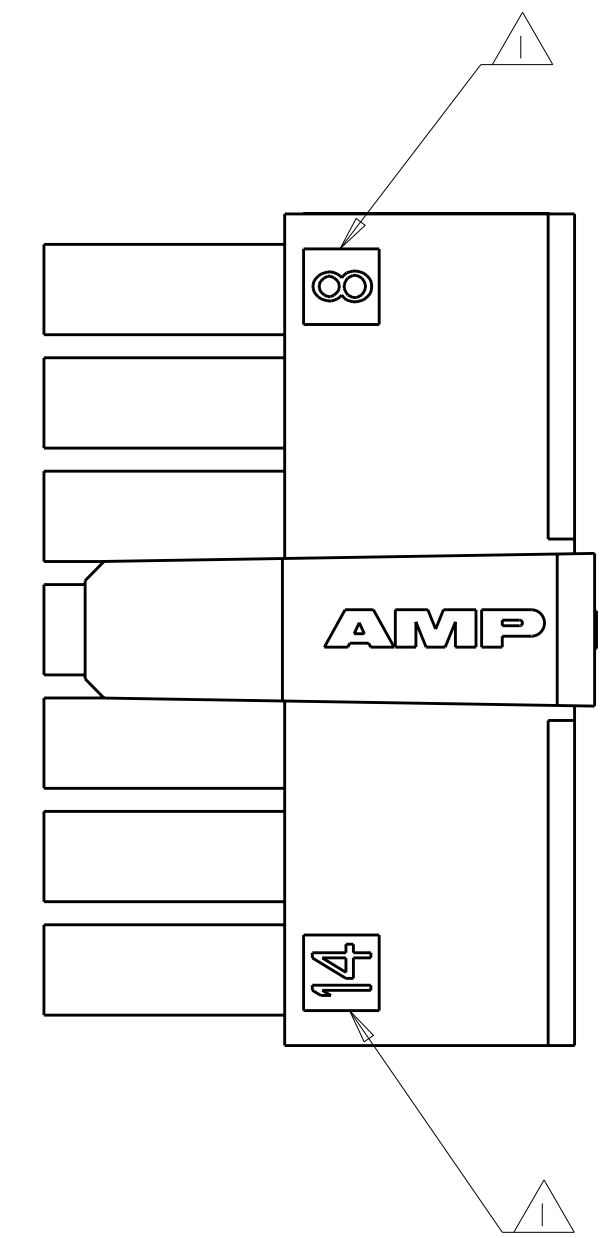


LOC	DIST	REVISIONS			
P	LTB	DESCRIPTION	DATE	DWN	APVD
CM	53	E1	REVISED PER ECO-07-007163	21MAR2007	KW CJ

△ CIRCUIT IDENTIFIER, LOCATED APPROXIMATELY AS SHOWN.
 △ NOTE DELETED.



DIM A	NO. OF POS.	PART NUMBER
37.00	24	2-794617-4
34.00	22	2-794617-2
31.00	20	2-794617-0
28.00	18	1-794617-8
25.00	16	1-794617-6
22.00	14	1-794617-4
19.00	12	1-794617-2
16.00	10	1-794617-0
13.00	8	794617-8
10.00	6	794617-6
7.00	4	794617-4
4.00	2	794617-2

METRIC

DIMENSIONS: mm TOLERANCES UNLESS OTHERWISE SPECIFIED: 0 PLC ± 1 PLC ±.13 2 PLC ± 3 PLC ± 4 PLC ± ANGLES ± FINISH #030		DWN R. WHITAKER 14-OCT-1999 CHK K. COBLE 14-OCT-1999 APVD K. COBLE 14-OCT-1999 PRODUCT SPEC APPLICATION SPEC WEIGHT CUSTOMER DRAWING	AMP Incorporated Harrisburg, PA 17105-3608 NAME RECEPTACLE HOUSING, 2 TO 24 POSITION, DUAL ROW, MICRO MATE-N-LOK™ SIZE CAGE CODE DRAWING NO. RESTRICTED TO A100779C=794617 SCALE 5:1 SHEET 1 OF 1 REV E1
---	--	--	---